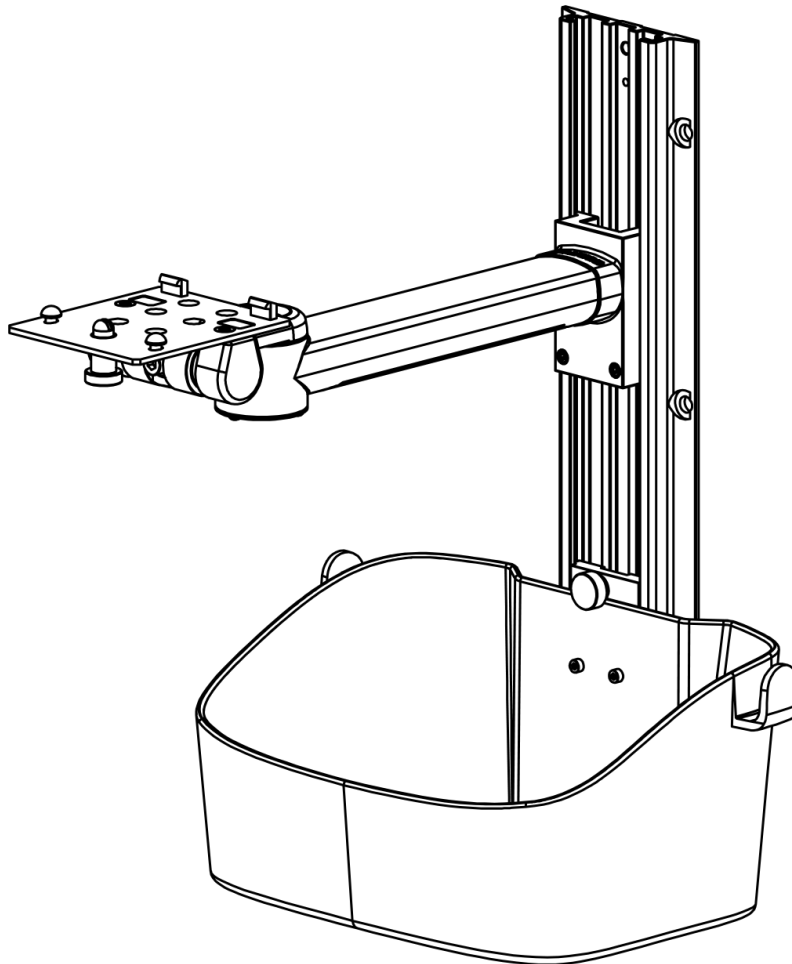


Biolight Patient Monitor Wall Mount

Installation Guide

Model: WM001E-BLT-S series



Contents

1	Safety Information.....	2
2	Equipment Symbols.....	3
3	Packing list.....	3
4	Specification.....	4
5	Wall Mount Parts Schematic.....	5
6	Assembling the Wall Mount.....	6
7	Adjust Socket Channel Direction.....	8
8	Maintenance and Adjustment.....	9
9	Cleaning and Sanitizing.....	10

1 Safety Information

1.1 Dangers

There are no dangers that refer to the product in general. Specific “Danger” statements may be given in the respective sections of this operation manual.

1.2 Warnings

WARNING

- Do not dismantle the wall frame by yourself. The maintenance of the wall frame must be carried out by maintenance personnel trained and authorized by the company.
 - When handling packaging materials, you must comply with local regulations or the hospital's waste disposal system. Packaging materials must be placed out of reach of children.
 - This wall bracket is forbidden to be installed directly above the hospital bed.
-
-

1.3 Cautions

CAUTION

- **Note:**Make sure that the wall structure supports four times the weight of the installed equipment. Installation on walls that do not meet this standard can result in unstable, unsafe conditions that can result in personal injury and/or property damage. If you have any questions about a particular application, please consult a construction professional.
-
-

1.4 Note







Note

- This product is used for the support and fixing of universal patient monitors.
 - Please select the corresponding patient monitor installation panel according to the monitor model.
 - Please choose correct Transition Plate for different model of patient monitor. (S type of Transition Plate)
 - This wall mount use to install Biolight Patient monitor to wall
-
-

2 Equipment Symbols

NOTE

- Some symbols may not appear on all equipment.

	Attention: Consult accompanying documents (this manual).
	Read Operator's Manual
	Manufacturer
	Manufacture date
	Serial number
	CE mark

3 Packing list

NO.	Description	Qty	Note
1	Wall channel	1	
2	Expansion screw M8*60	4	
3	Arm Kit (<i>with tilt panel</i>)	1	
4	Accessories Kit	1	
5	Accessories basket	1	
6	Hex Wrench 3#	1	Tool
7	Hex Wrench 4#	1	Tool

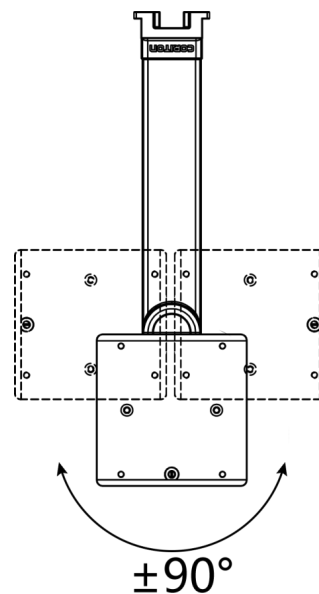
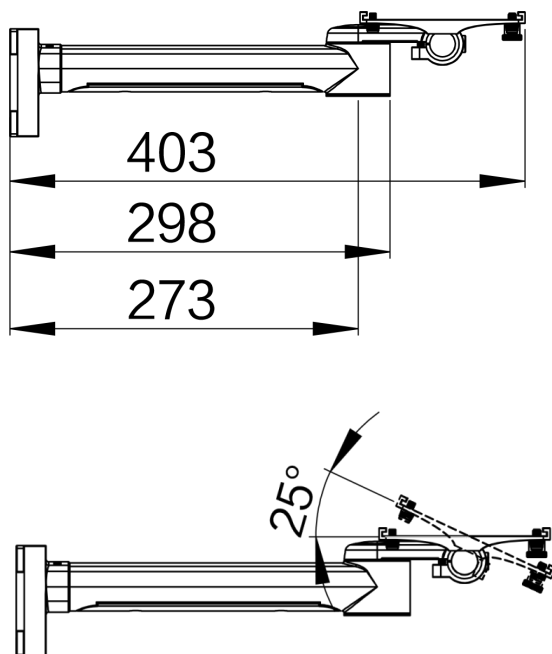
4 Specification

4.1 Hardware Specifications

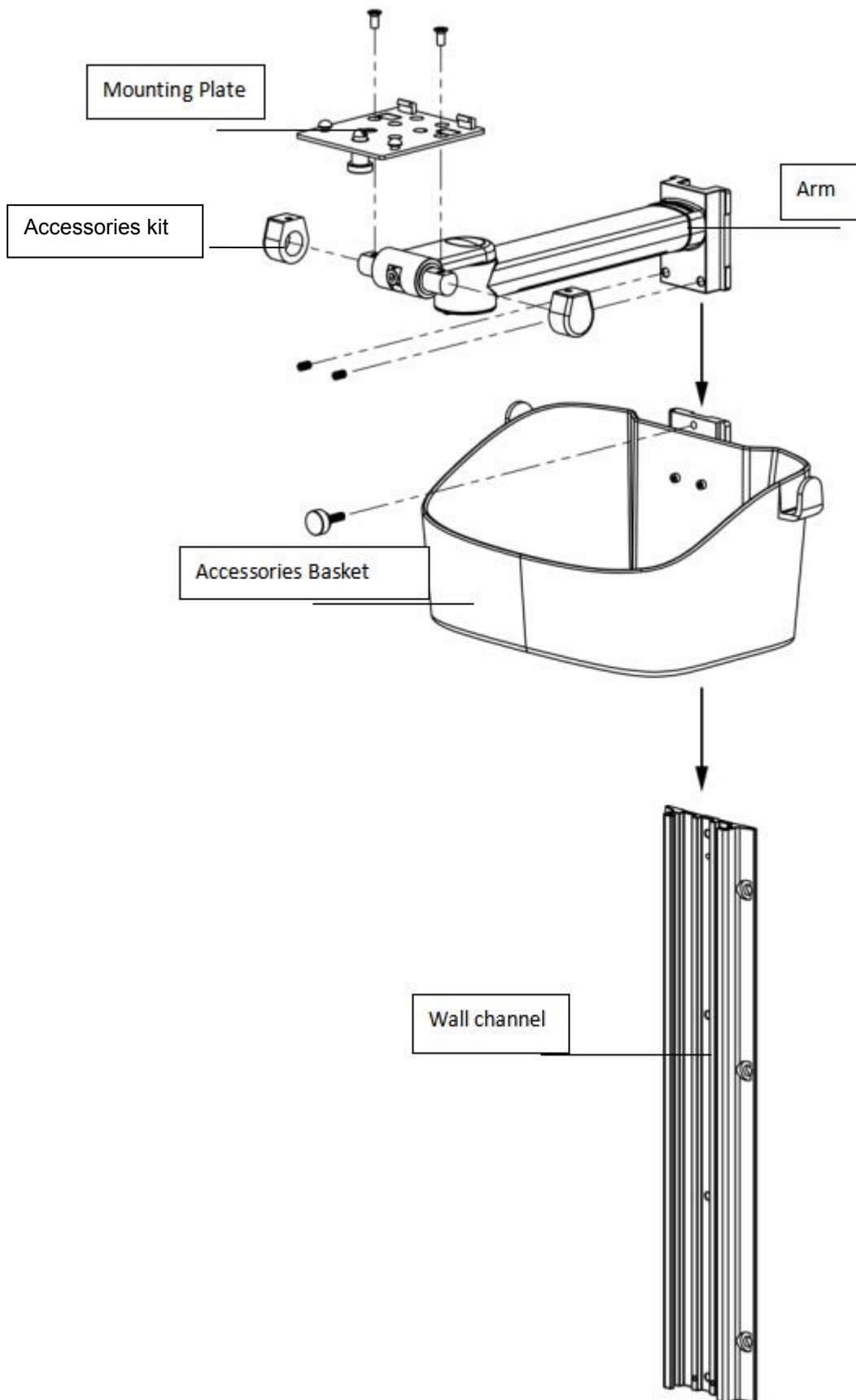
Model	WM001E-BLT-S series
Wall Channel	Standard Channel 320mm (Longer or shorter one optional)
Arm length	298mm
Basket	Included
Horizontal Rotate	+ - 90°
Tilt	0~ -25° or 0~ -120°
Arm Max Load	30kg
Socket Panel Max Load	15kg
Hide Cable	Yes
Color	Medical white
Material	Aluminium
Net Weight	1.5kg

4.2 Environmental Specifications


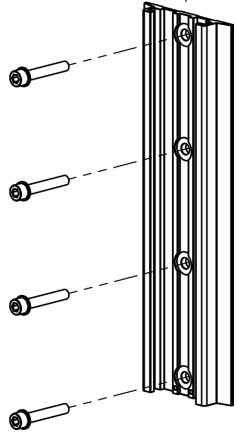
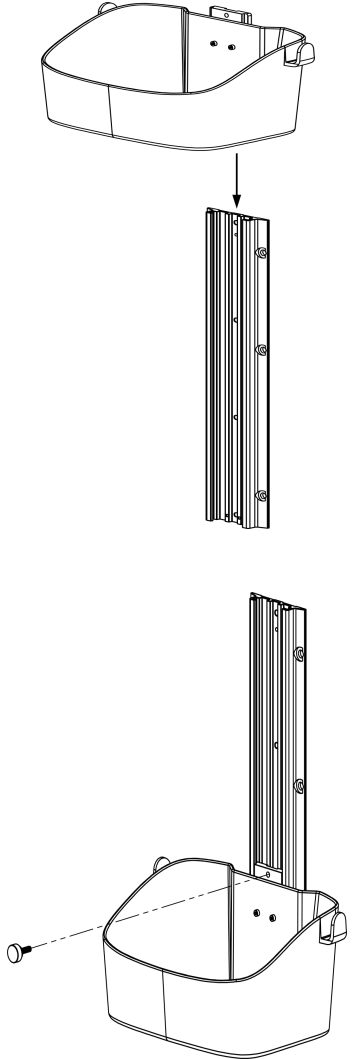
Temperature range	Operating	0°C~+40°C
	Storage	-40°C~+70°C
Humidity range	Operating	15% - 95 %, non-condensing
	Storage	10% - 95 %, non-condensing
Altitude range	Operating	-500 ~ +4,600 m (57.0kPa~106.0kPa)
	Storage	-500 ~ + 11,175 m (50.0kPa~106.0kPa)

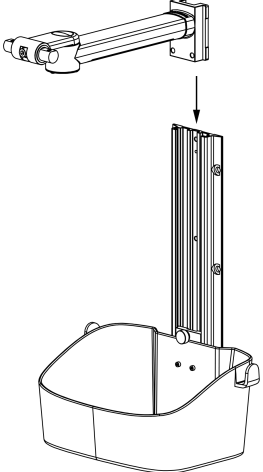
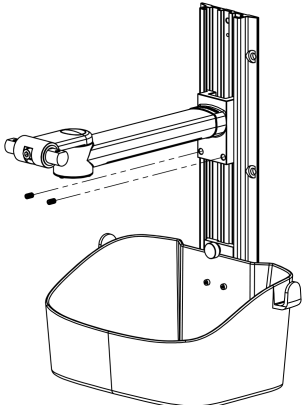
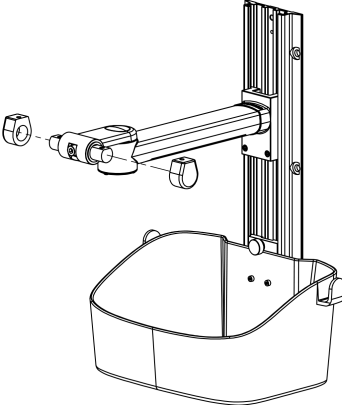
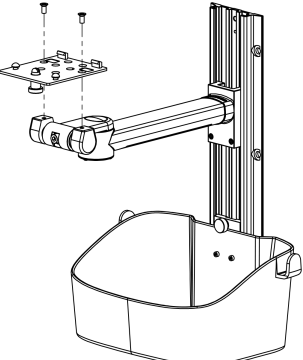


5 Wall Mount Parts Schematic



6 Assembling the Wall Mount

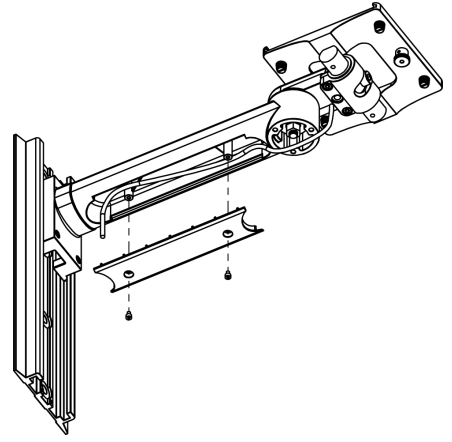
<p>1</p>	<p>Install wall channel</p> <ul style="list-style-type: none">-Determine the locations of the holes to install the guide rail on the wall based on the height to the patient monitor. Drill four $\Phi 10$ mm holes vertically on the wall.- Align the wall channel with the holes on the wall and screw it down with four M8X60 flat expansion screws.  <p>Note: This step is only applicable to the installation instructions of cement wall. For other wall surfaces such as wooden walls, hollow walls, seismic zones, etc. please refer to CORITON 《 Wall Channel Installation Guide》 .</p>	
<p>2</p>	<p>Install accessories basket</p> <ul style="list-style-type: none">- Insert accessories basket slider to wall channel- Adjust the basket to appropriate height.-Hand tighten accessories basket black thumb screws	

<p>3</p>	<p>Install the arm kit to the channel.</p> <ul style="list-style-type: none"> - Insert arm kit to wall channel - Adjust the arm to appropriate height. -Tighten 2 lock screws to fix the arm to wall channel 	 
<p>4</p>	<p>Install or remove the patient monitor to wall mount.</p> <p>Install two accessories kit to the both side of the axle .</p> <p>For install patient monitor to wall mount, please pull down the lock switch on the mounting plate , at mean time patient monitor install on the mounting plate Release the lock switch when the the install panel arrive the correct hole.</p> <p>For remove patient monitor from wall mount, pull down to locker switch on the install panel, and then slide patient monitor out of mounting plate.</p>	 

5

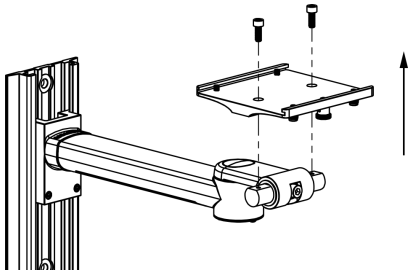
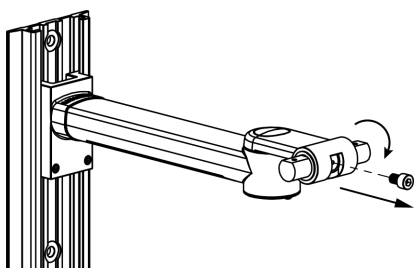
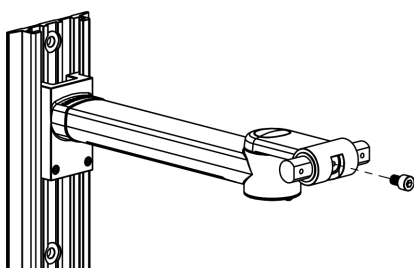
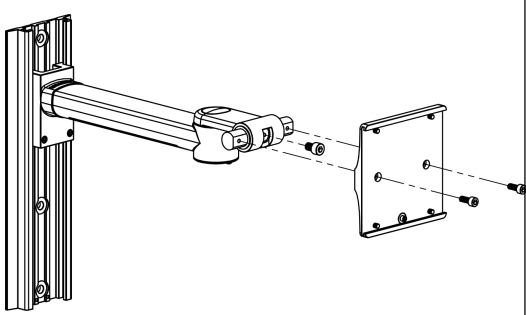
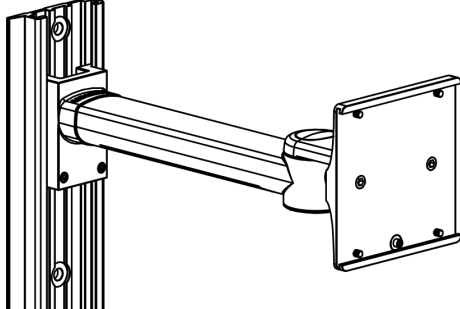
Install equipment cable to arm

Remove the wiring cover lock screws, open the wiring cover, place the cable into the wiring slot below the arm, and then lock the wiring cover with 2 screws.




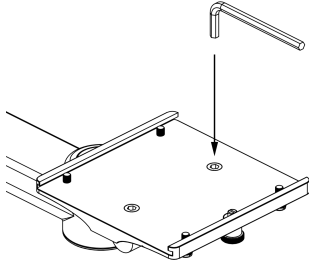

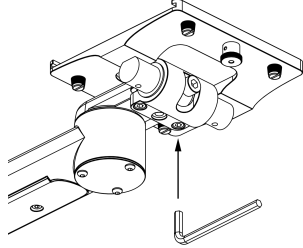

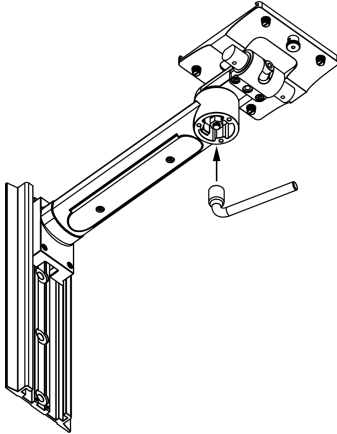
7 Adjust Socket Channel Direction.

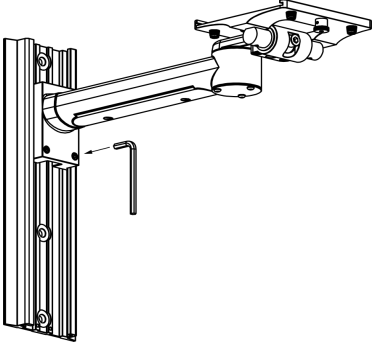
Note: The socket channel will be installed in the horizontal direction by default. Some models may be changed to vertical installation before shipment according to customer requirements.

<p>1</p>	<p>Take out the socket channel lock screws.</p>	 A technical drawing showing a wall-mounted arm with a socket channel. A rectangular plate with four screws is being lifted away from the end of the arm. An upward-pointing arrow indicates the direction of removal.
<p>2</p>	<p>Take out the spin axis limit screw and rotate the spin axis 90 degrees in the direction shown.</p>	 A technical drawing of the arm and socket channel. A screw is being removed from the side of the socket channel. A curved arrow indicates a 90-degree rotation of the socket channel.
<p>3</p>	<p>Install the shaft limit screw.</p>	 A technical drawing showing a screw being inserted into the side of the socket channel to act as a shaft limit.
<p>4</p>	<p>Install socket channel.</p>	 A technical drawing showing the rectangular socket channel being aligned with the end of the arm and secured with four screws.
<p>5</p>	<p>Finish, the wall mount direction is changed to the vertical position.</p>	 A final technical drawing showing the completed assembly. The arm is mounted vertically on the wall, and the socket channel is oriented vertically.

8 Maintenance and Adjustment.

Very little maintenance is required during the life span of the arm, however it is recommended to check all pivot /swivel points as well as all bearing points regularly . Please check all screws on a regular basis (at least once a year) and tighten them if necessary.

No.	Items	Reference photo	Cycle
	<p>Socket Channel Check Check and tighten the socket channel lock screw if necessary.</p>		12month
	<p>Swivel Tension Adjustment Check Swivel Tension screw ,tighten the screws if necessary , you can adjust these 2 screws to control Swivel Tension .</p>		12month
	<p>Pivot Tension Adjustment Check this screw and tighter it if necessary, you can adjust this screw to control the pivot tension.</p>		12month

<p>4</p>	<p>Check arm lock screws Check these 2 screws, tighten them if necessary to avoid arm drop down from wall channel.</p>		<p>12month</p>
----------	--	--	----------------

9 Cleaning and Sanitizing.

CORITON arms may be cleaned with mild , non-abrasive solutions commonly used in hospital environment (e.go diluted bleach , ammonia , or alcohol solutions).

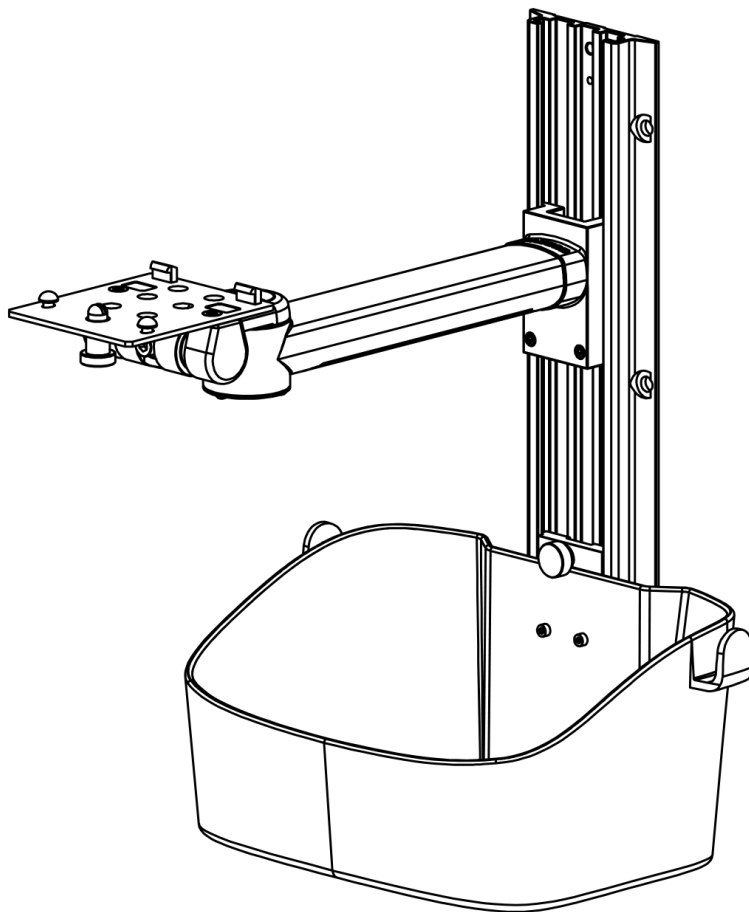
The surface finish may be permanently damaged by strong chemicals and solvents such as acetone and trichloroethylene.

Do not use steel wool or other abrasive materials. Avoid all liquids entering the arm.

CAUTION: CORITON makes no claims concerning the efficacy of the disinfection process. Please consult your hospital's infection control manager.

宝莱特病人监护仪墙架 安装说明

型号: WM001E-BLT-S型



目录

1 安全信息.....	2
2 设备符号.....	3
3 装箱清单.....	3
4 规格.....	4
5 零件示意图.....	5
6 组装墙架.....	6
7 墙架安装方向调整.....	8
8 维护和调整.....	9
9 清洁和消毒.....	10

1 安全信息

1.1 危险

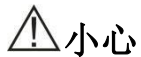
本说明书中没有危险等级的安全信息。

1.2 警告



- 不得自行拆卸墙架，对墙架的维修必须由经过本公司培训和授权的维修人员进行。
 - 处理包装材料时，必须遵守当地相关的法规、或医院的废物处理制度。包装材料必须放置在儿童接触不到的地方。
 - 此墙架禁止安装于病床正上方。
-

1.3 小心









- 请确保确保墙壁结构能够支撑所安装设备四倍的重量。安装在不符合此标准的墙壁上会导致不稳定、不安全的情况，从而可能造成人员受伤和/或财产损失。如果对特定应用有任何疑问，请咨询施工的专业人员。
-

1.4 注意

注意

- 本产品用于通用监护仪的支撑和固定。
 - 请根据监护仪型号选择对应的机器安装板。
 - 注：本产品用于宝莱特监护仪的支撑和固定。
 - 请根据监护仪型号选者对应的机器安装板（S 型号安装板）
-

2 设备符号

	注意！查阅随机文件
	请阅读说明书
	生产厂家
	生产日期
	序列号
	CE 标志

3 装箱清单

序号	名称	数量	备注
1	安装板	1	
2	膨胀螺丝 M8*60	4	固定滑槽
3	支臂横梁组件	1	
4	小耳朵附件	1	
5	附件篮	1	
6	内六角扳手 3#	1	工具
7	内六角扳手 4#	1	工具

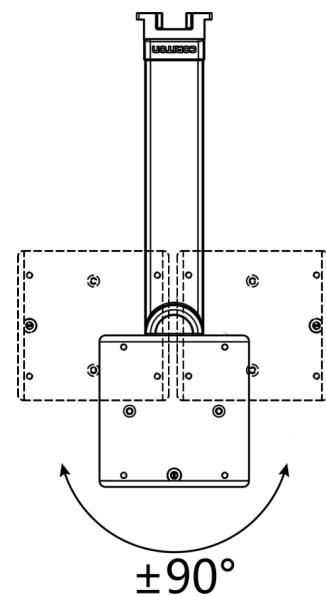
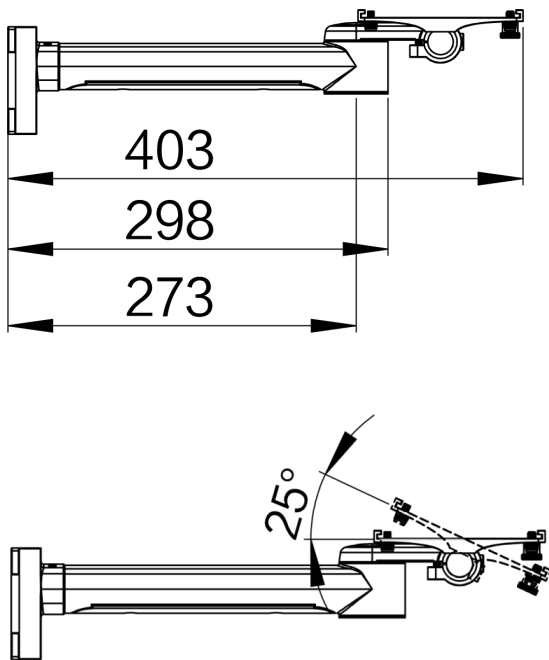
4 规格

硬件规格

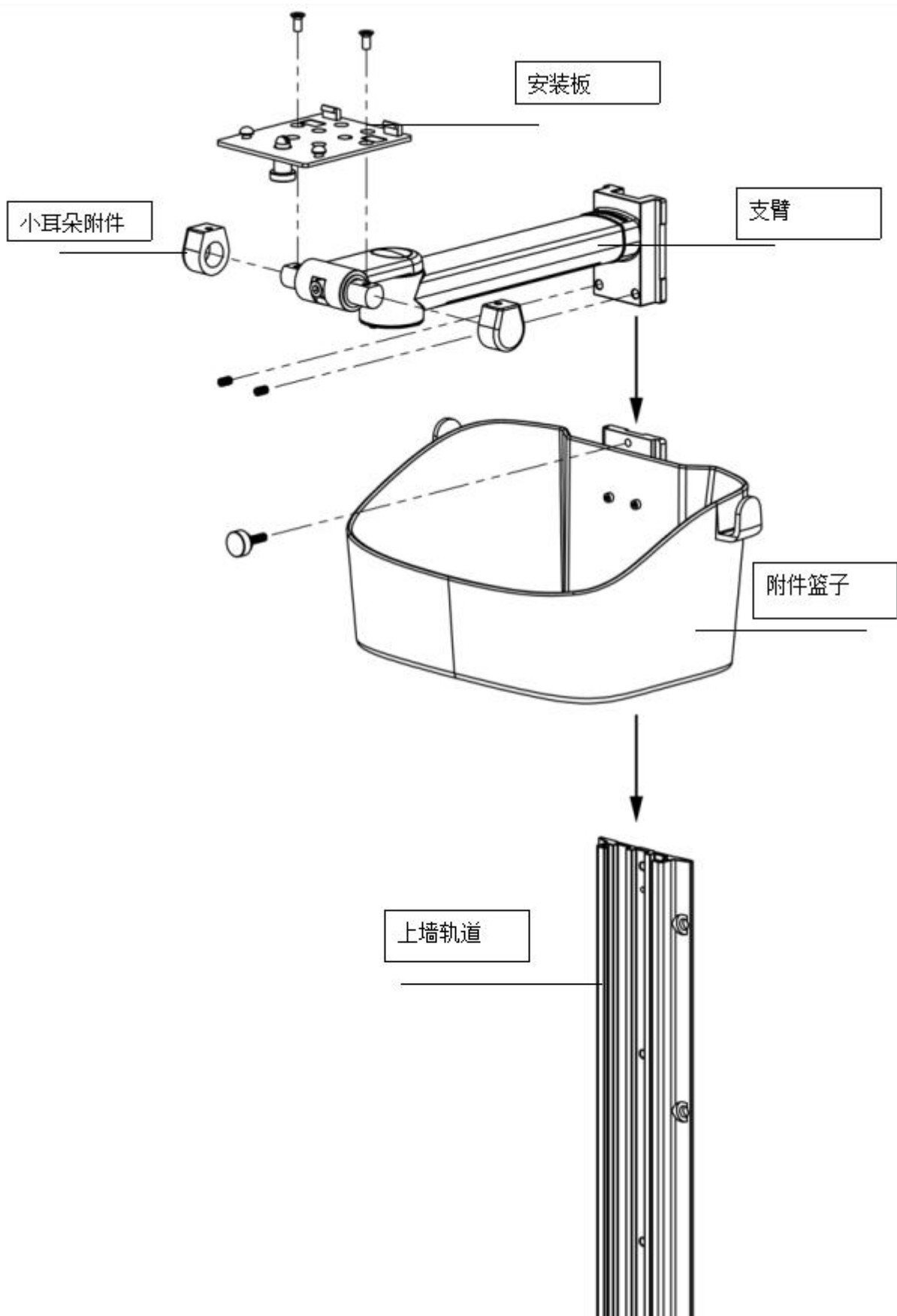
型号	WM001E-BLT-S series
上墙轨道	标准轨道 320mm (选配加长或缩短款)
支臂长度	298mm
篮子	包含
水平旋转角度	+ - 90°
垂直旋转角度	0~ -25° or 0~ -120°
立杆整体承重	30kg
上机板承重	15kg
隐藏式布线	有
颜色	医疗白
材质	铝合金
净重/ Net Weight	1.5kg

环境规格


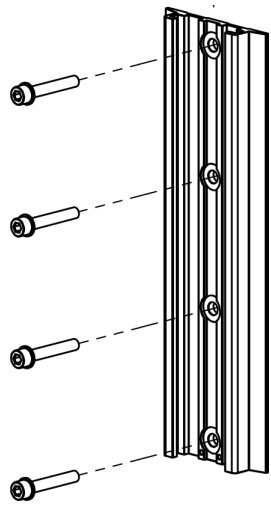
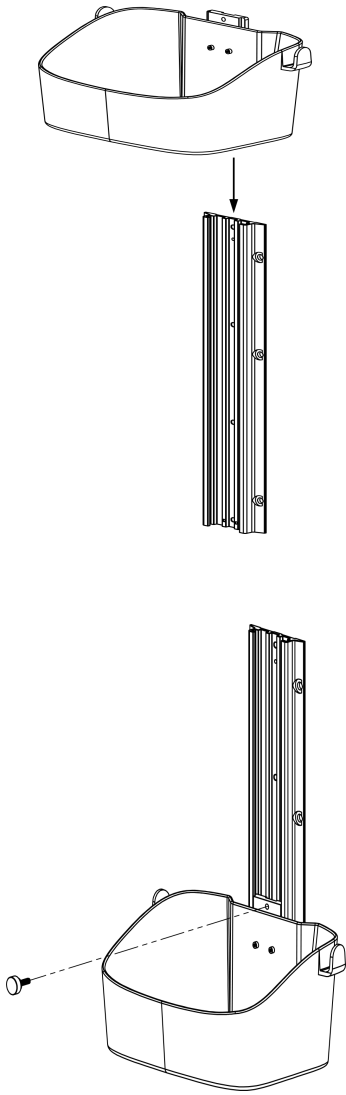
温度范围	工作	0°C ~ +40°C
	不工作 (贮存)	-40°C ~ +70°C
相对湿度范围	工作	15% - 95 %, 无冷凝
	不工作 (贮存)	10% - 95 %, 无冷凝
海拔高度范围	工作	-500 ~ +4,600 m (57.0kPa ~ 106.0kPa)
	不工作 (贮存)	-500 ~ +11,175 m (50.0kPa ~ 106.0kPa)

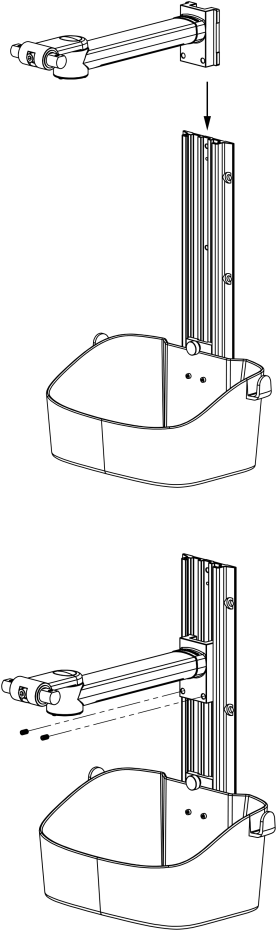
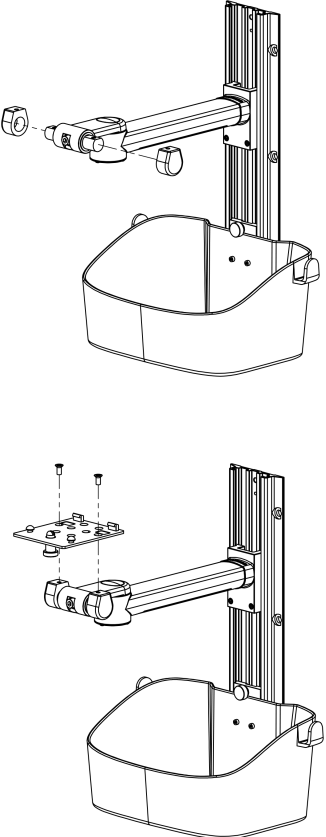


5 零件示意图



6 组装墙架

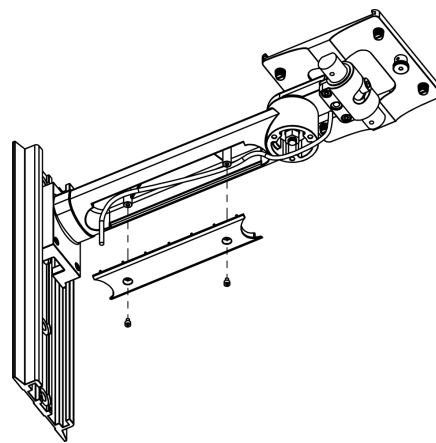
<p>1</p>	<p>滑槽安装</p> <p>根据监护仪高度需要，在墙面竖直方向打 4 个 $\Phi 10\text{mm}$ 的圆。</p> <p>将滑槽圆孔对准墙面上的圆孔， 然后用 4 个 M8X60 的圆头式金属膨胀螺钉固定。</p>  <p>注：本步骤只适用于水泥墙安装说明，其他墙面如木墙，空心墙，地震区等安装请参考康瑞通公司《滑槽安装说明》。</p>	
<p>2</p>	<p>附件篮安装：</p> <p>将附件篮上的滑块插入滑槽板。</p> <p>将篮子调整到合适的高度</p> <p>用手拧紧附件篮上的黑色收拧螺丝。</p>	

<p>3</p>	<p>组装支臂组件</p> <p>将横梁组件滑入滑槽内， 调整到合适高度， 拧紧2个锁紧螺丝，将支臂固定在滑槽内。。</p>	
<p>4</p>	<p>锁定或取下监护仪</p> <p>将小耳朵附件安装在支臂的小圆杆上。</p> <p>如需安装监护仪，下拉卡槽板上的锁紧柱，同时请将监护仪与安装板卡住，放解锁紧柱。</p> <p>如需取下监护仪，请下拉卡槽板中间位置的锁紧柱，并将夹子松开，监护仪拿起。</p>	

5

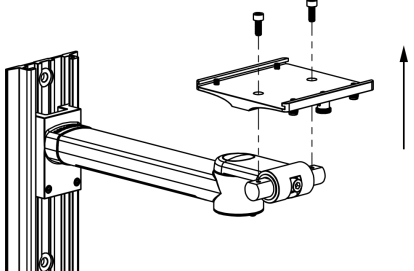
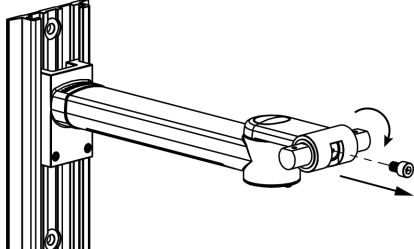
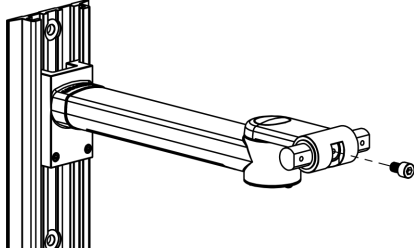
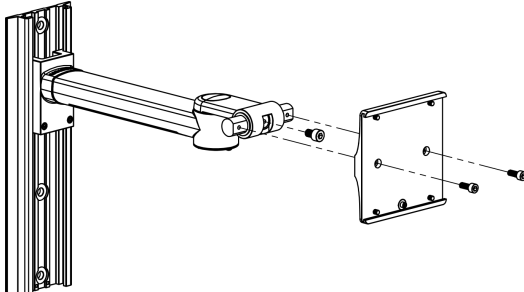
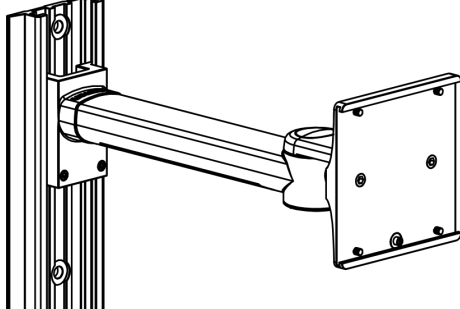
将设备电缆装入布线槽

取出布线盖螺丝， 打开布线盖子， 将电缆放入支臂下方的布线槽， 再将布线盖用 2 个螺丝固定。



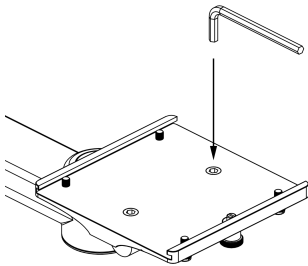
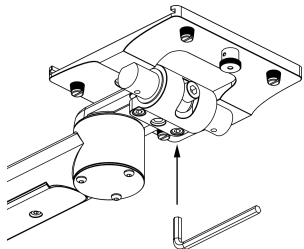
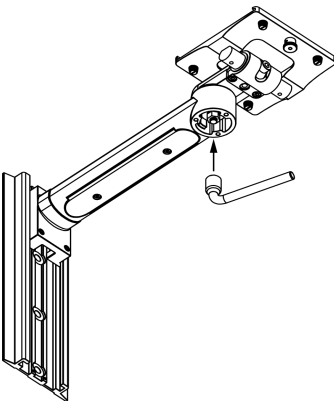
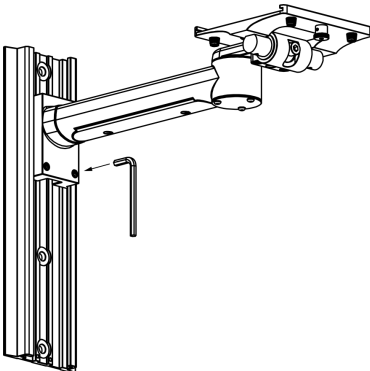
7 墙架安装方向调整

注意：卡槽板默认会安装在水平方向，部分型号可能根据客户需求，在发货前已经改成垂直安装。

1	取出 2 个卡槽板固定螺丝。	
2	取出转轴限位螺丝，并将转轴按图示方向旋转 90 度。	
3	安装转轴限位螺丝。	
4	安装卡槽板。	
5	完成，支臂安装方向改成垂直位置。	

8 维护和调整

康瑞通支臂在保修期内只需要很少的维护，但我们建议至少每 12 个月定期检查和调整一次，并检查所有螺丝，如有需要拧紧到合适位置。

序号	维护项目	图示	周期
1	卡槽板检查 检测并紧固卡槽板螺丝		12 个月/次
2	倾斜旋转力度调节 检查并紧固垂直旋转螺丝，可根据需要调节旋转阻尼。如有松动，可适当紧固螺丝。		12 个月/次
3	设备水平旋转力度调节 检查并紧固水平旋转阻尼，可根据需要调节旋转阻尼。如有松动，可适当紧固螺丝。		12 个月/次
4	支臂检查 检查并紧固支臂和滑槽板是否有松动，如有松动，可紧固两个锁紧螺丝		12 个月/次

9 清洁和消毒

可以用通医院常用的清洁剂（例如稀释的漂白剂，氨水或酒精溶液）和温和的非研磨性溶液来清洁康瑞通支臂。表面光洁度可能会受到强力化学品和溶剂（如丙酮和三氯乙烯）的永久损坏。

不要使用钢丝绒或其他研磨性的布料来清洁。避免任何液体进入支臂内部。

注意：康瑞通不会对消毒效果做出声明。请咨询医院的感染控制部门专业人士。