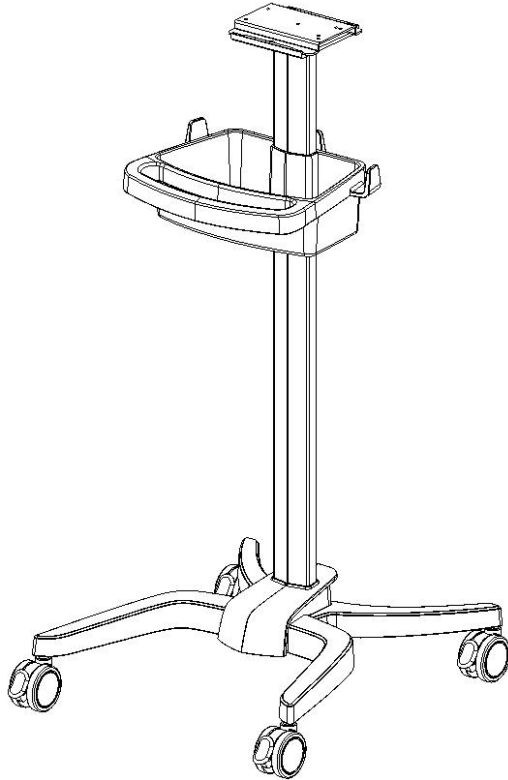


宝莱特监护仪

推车安装说明

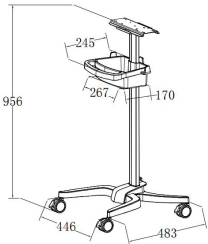
型号：ST-T1-BLT-V



注意：本说明书适用于宝莱特 V 系列监护仪

1 规格

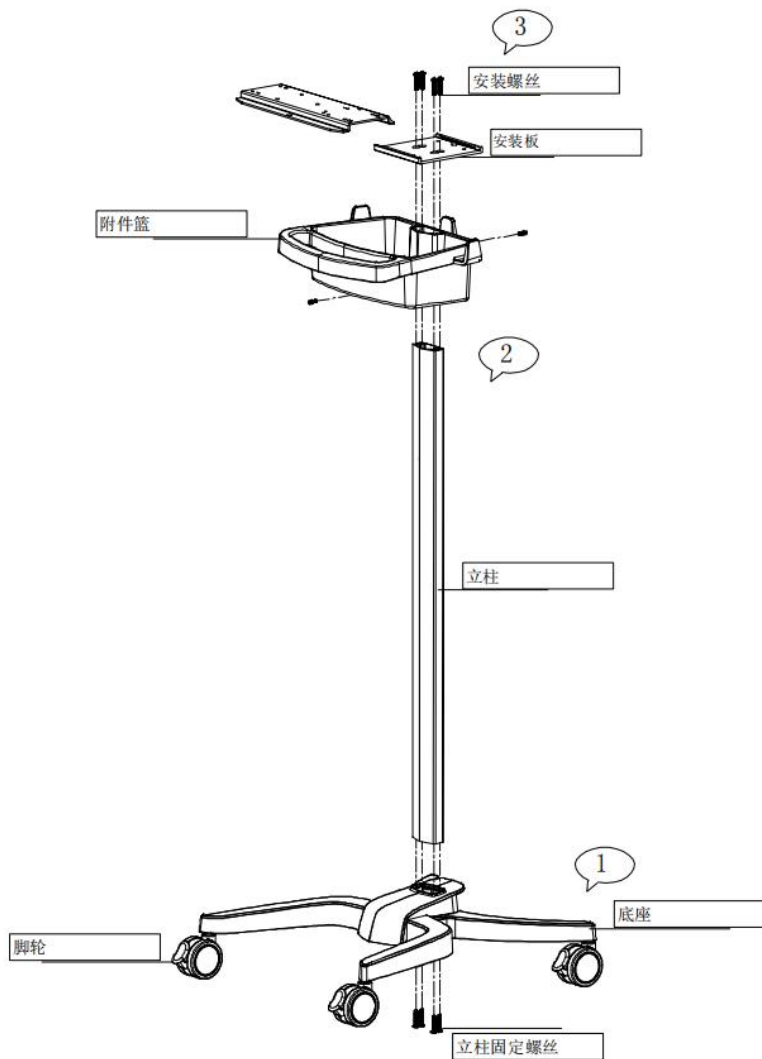
硬件规格

产品型号	ST-T1-BLT-V
图片	
产品承重	7.5kg (标配)
俯仰角	0° 标配固定角度
旋转角度	360°
推车尺寸	446mm*483mm*956mm
推车高度	956mm
篮子	带把手 (267mm*245mm*100mm)
脚轮	2.5inch, 四轮都带刹车
升降方式	不可升降
材质	推车: 铝合金-喷粉、塑胶-原色注塑。安装板: 铝合金-阳极氧化
包装尺寸	770mm*480mm*195mm
净重	6.8kg
毛重	8.5kg
认证	ISO9001

2 监护仪推车装箱清单

序列号	描述	数量	备注
1	底座 (含脚轮)	1	配 4 个刹车
2	推车立柱	1	
3	安装板	1	不同监护仪的安装板可能不同
4	附件篮	1	
5	附件包	1	工具和螺丝

3 推车零件示意图



4 组装监护仪推车

<p>1</p>	<ul style="list-style-type: none">- 将立柱插入底座- 用 4 颗内六角螺钉将立柱固定到底座	
<p>2</p>	<ul style="list-style-type: none">- 将附件篮穿过立柱卡到立柱螺钉处- 用 1 颗内六角螺钉把附件篮固定到立柱上	
<p>3</p>	<ul style="list-style-type: none">- 用 4 颗沉头螺丝把安装板固定在立柱上	

5 清洁和消毒

可以使用温和的非研磨性溶液（例如稀释的漂白剂、氨水或酒精溶液）清洁推车。

丙酮和三氯乙烯等强化学品和溶剂可能会永久损坏表面光洁度。

不要使用钢丝绒或其他研磨材料。

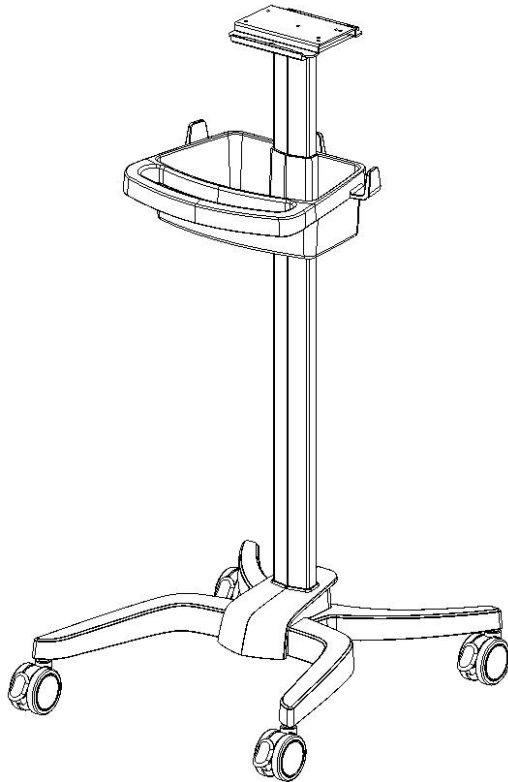
6 环境规格

温度范围	操作	0°C~+40°C
	存储	-40°C~+70°C
湿度范围	操作	15% - 95 % ,无冷凝
	存储	10% - 95 % , 无冷凝
高度范围	操作	-500 ~+4,600 m (57.0kPa~106.0kPa)
	存储	-500 ~ + 11,175 m (50.0kPa~106.0kPa)

Biolight Patient Monitor

Roll Stand Installation Guide

Model: ST-T1-BLT-V



Note: This installation guide suitable for Biolight V series patient monitor

1 Specification

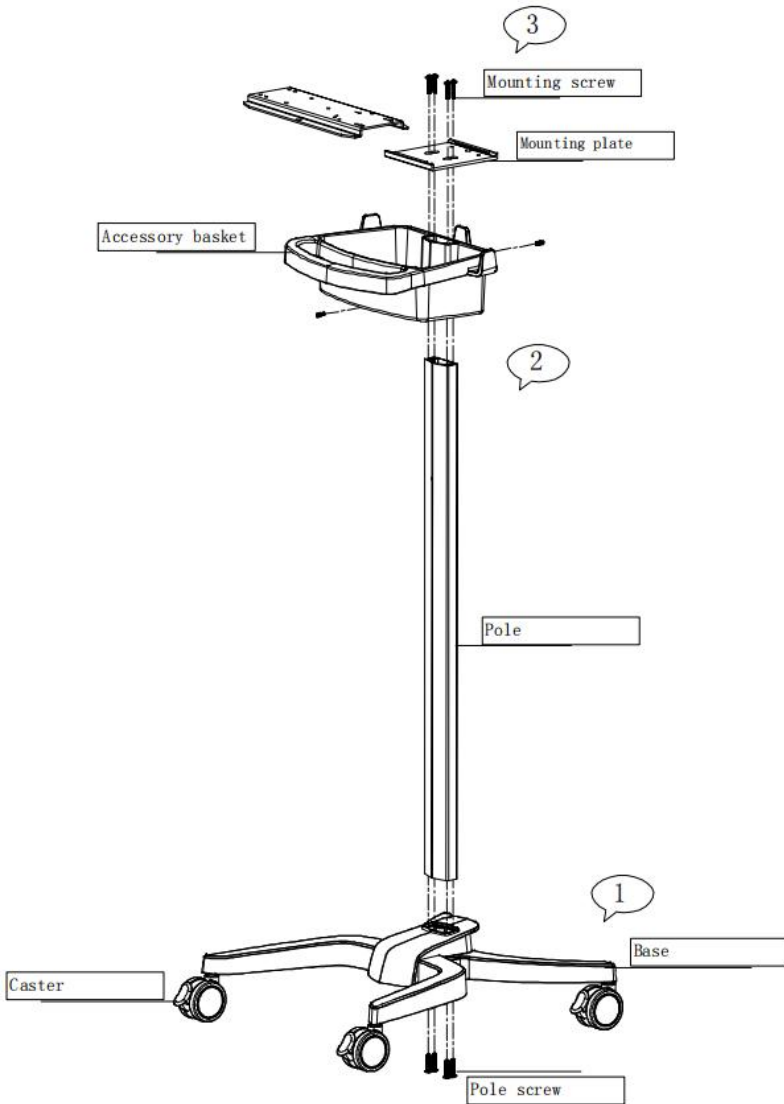
Hardware specifications

Model	ST-T1-BLT-V
Photo	
Load Capacity	7.5kg as Standard
Angle of pitch	0° Fixed as Standard
Rotation angle	360°
Trolley Size	446mm*483mm*956mm
Height	956mm
Basket	Plastic With handle (267mm*245mm*100mm)
Caster	2.5inch, All four wheels have brakes
Lifting method	Can't lift
Material	Cart: aluminum alloy - powder spraying, plastic - primary color injection molding. Mounting plate: aluminum alloy - anodized
Package Size	770mm*480mm*195mm
Net weight	6.8kg
Gross weight	8.5kg
Certificates	ISO9001

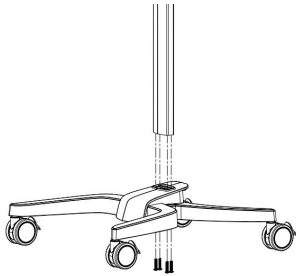
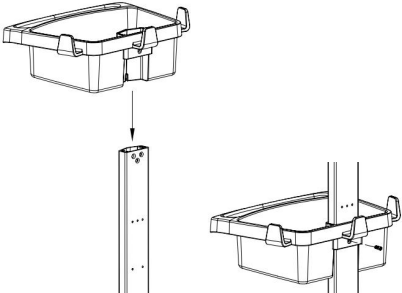
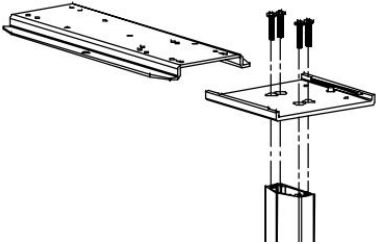
2 Packing List

NO.	Description	Qty.	Note
1	Base (including casters)	1	With 4 brakes
2	Pole	1	
3	Mounting plate	1	The mounting plate of different monitors may be different
4	Accessory basket	1	
5	Accessory bag	1	Tools and screws

3 Roll Stand Parts Schematic



4 Assemble the roll stand

<p>1</p>	<ul style="list-style-type: none">- Insert the column into the base- Fix the post to the base with four hexagon screws	
<p>2</p>	<ul style="list-style-type: none">- Clamp the attachment basket through the post to the post screw- Fix the accessory basket to the post with one hex socket screw	
<p>3</p>	<ul style="list-style-type: none">- Secure the mounting plate to the post with 4 countersunk screws	

5 Cleaning and Sanitizing

Carts can be cleaned with mild, non-abrasive solutions (such as diluted bleach, ammonia, or alcohol solutions).

The surface finish may be permanently damaged by strong chemicals and solvents such as acetone and trichloroethylene.

Do not use steel wool or other abrasive materials.

6 Environmental Specifications

Temperature range	Operating	0°C~+40°C
	Storage	-40°C~+70°C
Humidity range	Operating	15% - 95 % ,non-condensing
	Storage	10% - 95 %, non-condensing
Altitude range	Operating	-500 ~+4,600 m (57.0kPa~106.0kPa)
	Storage	-500 ~ + 11,175 m (50.0kPa~106.0kPa)